

cerwin
vega
mobile



6.5" ULTRA HIGH EFFICIENT
MIDRANGE DRIVER
100W RMS • 200W PEAK POWER HANDLING

- Lightweight Aluminum Voice Coil Former
- 1.5" Copper Clad Aluminum Voice Coil
- Polypropylene Treated Hybrid Paper Curvilinear Cone
- Woven Cloth Ribbon Surround
- High Density Die Cast Aluminum Housing

OWNERS MANUAL

pro

Cerwin Vega Mobile Speakers

Congratulations for purchasing Cerwin Vega Mobile speakers for your car audio system. You have chosen Cerwin Vega Mobile because you deserve the best!

Cerwin Vega Mobile speakers were designed and engineered to reproduce great sound quality for many years of listening enjoyment in your vehicle!

We highly recommend that your new speakers be installed by an authorized Cerwin Vega Mobile dealer. Your authorized dealer can professionally assemble/disassemble the interior of your vehicle and set the proper speaker placement for ideal sound quality.

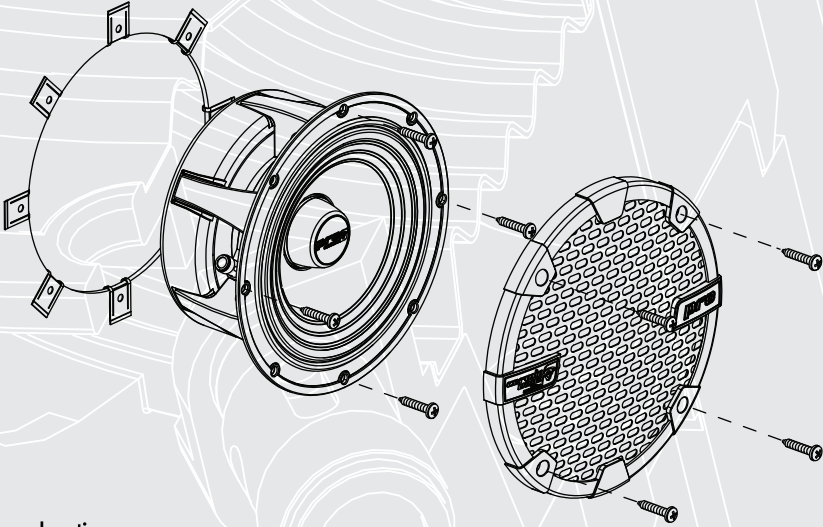
If you decide to install the speakers by yourself, please thoroughly read through this manual before getting started. This manual will help familiarize yourself with these speakers and guide you through the installation process and procedures.

Please contact your local authorized Cerwin Vega Mobile dealer if you have any questions regarding the instructions in this manual. If you require additional assistance, please contact the Cerwin Vega Mobile Technical Support Department during business hours at 480.838.9422.

Installation

Installing the Speakers

Your new Cerwin Vega Mobile series speakers were designed with the flexibility to be installed in multiple locations. However, to ensure the best performance possible, it is important to isolate the front sound waves of the speaker from its rear sound waves. This is done by securely mounting the speaker to a flat surface known as a baffle. Make sure to seal the speaker to ensure there are no air leaks around its frame.



Selecting a Location

If your vehicle has existing factory locations, the easiest method would be to replace them with the exact same size speaker. In the case where there is not a factory speaker location, there are many places where the speakers will fit in a vehicle, but they are not always the best locations for good sound. Make sure to take the time to select the best locations possible. Mounting the speakers so that they are equal distance from your ears will achieve the best results. If you experience any difficulties, please consult with your local authorized Cerwin-Vega Mobile dealer. They have the tools and know-how to help

Door Mounting (if not using factory locations)

Prior to cutting, remove the panel from the door and check for clearance in the in the intended installation area, making sure the window will go all the way up and down without any interference. Avoid cutting any structural metal support or braces to mount the speakers.

Rear Deck Mounting

There are two primary methods for mounting speakers in the rear deck of a vehicle, top and bottom mounting. Top mounting requires dropping the speakers in through the deck (interior) while bottom mounting secures the speakers from underneath (trunk). Either method requires a good seal around the frame for the best performance.

Running New Wiring

In most cases when mounting new speakers you will use the factory supplied wiring, but if new wires have to be run there are some precautions that need to be taken. If the wire needs to run through metal, such as a door jamb, always use a grommet to prevent damage to your wires. Never run wire through bare metal! This can damage the source unit, amp, or even the speakers themselves. Safety of the wiring against short circuits is THE MOST IMPORTANT INSTALLATION CONCERN.

Features

1 O2-Cast Technology

O2-Cast Technology finely tunes their aluminum die cast baskets microstructure. Oxides are formed in the mold and virtually eliminates gas porosity, cracks, and segregation. This process increases basket strength while lowering basket resonance. All this contributes to acoustics from the driver that is more defined and accurate.

2 LRS - Linear Rolled Spider

A symmetrical over-under weave design and hybrid material blend provides the perfect mix of exceptional strength and reliability. With LRS, music sounds good at all volume settings and will remain controlled and very dynamic even at peak volume levels.

3 CCD - Curvilinear Cone Design

Curvilinear shaped cones improve off-axis performance through their unique geometry. The sensitive inner-section of the cone features a severe angle design that aids in its off-axis performance. The outer edge is flat and more rigid reproducing louder mid-bass frequencies that radiates uniformly throughout the listening environment.

4 EMAR - Cone Design (Exponential Multi Annular Rib)

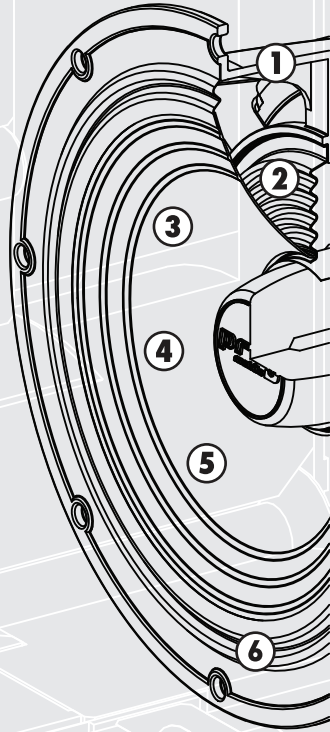
By exponentially increasing cone thickness and adding annular ribs to the outer edge of the cone, EMAR applied cone design stiffens the cone to decrease cone resonance in the upper frequency bandwidth. Complex and unwanted vibrations are greatly reduced at high volume levels resulting in exponentially more mid-bass.

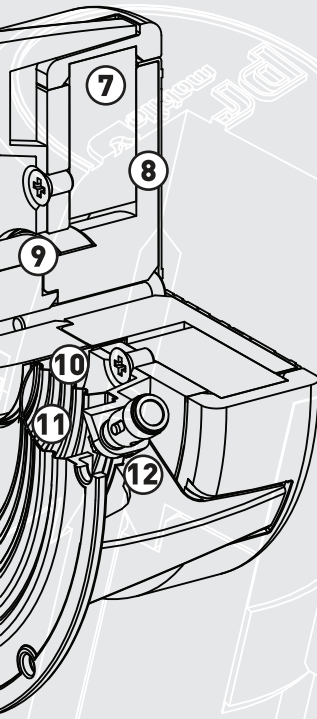
5 HCC - Hybrid Cone Construction

HCC technology combines three types of unique fibers (Kapok, Black Spruce, and Unbleached Kraft) felted together under a specialized polypropylene coating to create a very exotic cone design. Unique traits engrained in these fibers such as tubular shaping for more cross-sectional thickness, superior rigidity, lightness, and lack of damaging chemical treatment ensures that this strong, ultra stiff hybrid cone emits a very natural sound without sacrificing efficiency.

6 TCRS - Treated Cloth Ribbon Surround

Our specially formulated cloth ribbon surround is created through a 50 year old process of weaving pure cotton in a plain weave mesh pattern, then saturated and sealed with phenolic and various other compounds. By incorporating a multi-ribbed design to TCRS, a desired resonant frequency that is perfect for reproducing extremely loud mid-bass is achieved.





7 HGM - High Grade Magnet

Not all magnets of equal size are equal in strength. High-grade (Y35), high-energy magnets provide a high resistance to demagnetization and are over 20% stronger per ounce than more common lower-grade (Y25 or Y20) magnets. By utilizing high-grade magnets, efficiency rises to extraordinary levels resulting in an astonishingly loud but yet controlled speaker.

8 FAY -Forged Alloy Yoke

One-piece cold forged 1008 alloy steel yokes initiate better magnetic transfer over a more common two-piece press fit design. Combine this with the reduced carbon content found in 1008-alloy steel, this feature allows for the greatest and strongest retention of magnetic fields generated by HGM.

9 CCAC - Copper Clad Aluminum Coil

Copper clad aluminum wire voice coils are very lightweight and have excellent heat dissipation/capacity characteristics. Copper is coated over an aluminum surface providing equal copper surface area at a fraction of the weight of solid copper wire. CCAC's provide maximum sensitivity and extends the high frequency response of speakers.

10 RAF - Rolled Aluminum Former

Rolled aluminum voice coil formers are known for its superior thermal capabilities. Its low mass and unrivalled thermal transfer characteristics make it the perfect voice coil former that maintains exceptional dynamic response yet prevents voice coil damage.

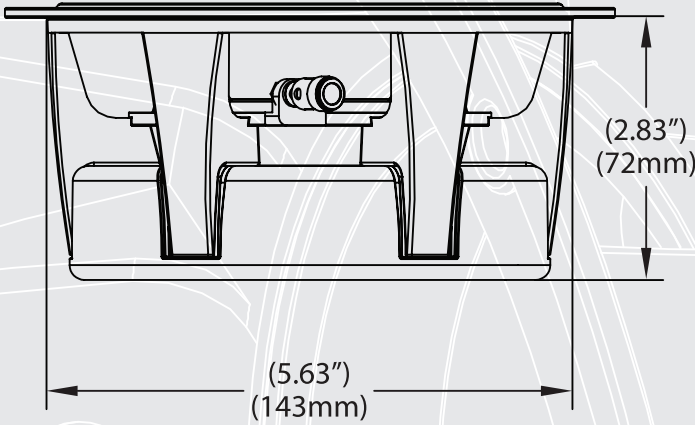
11 SWL - Symmetrical Woven Leads

Symmetrical woven ultra flexible braided tinsel leads move signal from the speaker terminals to the voice coil. A woven tinsel lead prevents kinetic failures at connection points and accidental shorting. Placement of the terminals and weaving the tinsel leads 180° apart provides even resistance on the voice coil/cone assembly. By providing an even resistance, the voice coil gap is reduced resulting in greater sensitivity while voice coil rub is prevented.

12 PPT - Pushpin Terminals

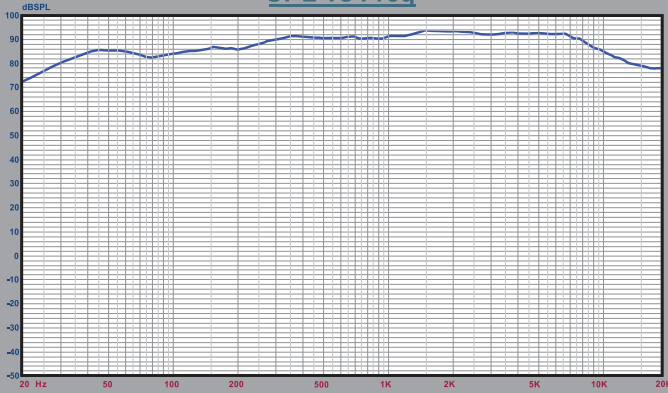
High quality nickel-plated and high-tension spring-loaded terminals offer an oxide free, low-resistance connection that will not cut off. Power from amplifiers will travel to a speaker's voice coil and will never be lost over a weak connection even under the most severe conditions.

Specifications

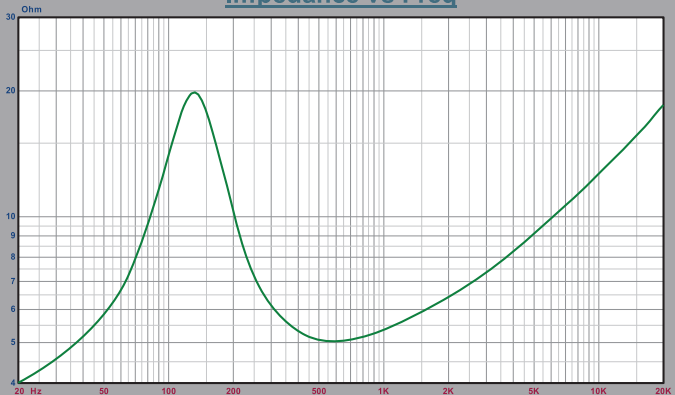


Parameter	CVMP6.5
SPL (dB)	95
Re (ohms)	3.6
Qts	0.4
Qms	2.7
Qes	0.55
Fs (Hz)	134
Vas (l)	3.82
Cms (m/N)	131.23
Mms (g)	10.55
BL (T-m)	7.68
Magnet (g)	875
VC Layers	2
VC Turns	57
VC Dia (")	1.5
Freq +/-3dB	200/5K
Pwr RMS/MAX	100/200
X-over (Hz)	N/A

SPL vs Freq



Impedance vs Freq



Warranty

Thank you for purchasing a Cerwin Vega Mobile product and we hope to provide you with countless hours of listening enjoyment. Please take a brief moment to register your new product. By registering your new product, you will receive benefits such as:

- Important product notifications that may pertain to your purchase.
- Confirmation and record of ownership in case of loss or theft.
- Knowledgeable customer service and technical assistance pertaining to your product.

To register your new product, please visit our website at:
www.cerwinvegamobile.com

Registration is voluntary and failure to register will not diminish your limited warranty rights.

Limited Warranty (U.S.A.)

Cerwin Vega Mobile warrants all of our amplifiers and speakers to be free of defects in materials and workmanship for a period of one (1) year.

This warranty is non-transferable and applies only to the original purchaser from an authorized Cerwin Vega Mobile dealer. If service is required and necessary under this warranty due to manufacturing defect or malfunction, then Cerwin Vega Mobile will repair and/or replace defective product with either new or remanufactured like product at no charge at our discretion.

Damage to product caused by the following will not be covered under this warranty: abuse, accident, misuse, neglect, modifications, repairing attempts, seller/installer misrepresentation.

This warranty does not cover any incidental, consequential, or cosmetic damage due to accidents or normal wear and tear, nor does it cover the cost of removing or reinstallation of the product.

Warranty is void if the product's serial number has been removed, defaced, and/or tampered with.

Warranty Procedure:

We recommend that you contact your Cerwin Vega Mobile authorized dealer where your original purchase was made to initiate all warranty claims. Our authorized dealers can guide you through the warranty procedure to ensure that your claim will be processed in a timely manner. All warranty returns must be accompanied with a proof of purchase (a copy of the original sales receipt) and be shipped freight prepaid to our facility with an RA (Return Authorization) number clearly marked on the outside of the package. Direct returns from consumers or non-authorized dealers will be refused if shipped without a valid RA number authorized by Cerwin Vega Mobile beforehand.

For subwoofer returns, remove the cone from the basket by cutting the surround and then the spider, thus allowing the cone to completely lift out. All returns must have the serial numbers taped to the cone. The serial number can be found on the basket of all speakers and underneath the spider attached to the top of the magnet plate. Please remove the sticker and tape it to the cone.

For coaxial speaker returns, the tweeter should be broken off and sent in with the cone. For component speakers, only return the defective part such as tweeter, midbass, or crossover only.

Products returned without proof of purchase will be determined from the manufacturing date code. If warranty period has expired, a service/repair fee quote will be given if product is to be repaired or replaced. Non-defective items received will be returned freight collect.

Please Ship All Warranty Claims With Pre-Authorized RA Number To:

Cerwin Vega Mobile
ATTN: Customer Service Department
6915 West Frye Road
Chandler, AZ 85226

Please Contact Customer Service for Further Warranty Information:

U.S.A.
Tel: 480.838.9422 / Hours: 8:30 AM — 5:30 PM (Arizona Standard Time)

INTERNATIONAL

Products purchased outside of the U.S.A. are covered only by that country's distributor and not by Cerwin Vega Mobile U.S.A.



6915 W Frye Rd • Chandler, AZ 8523
P 480.838.9422 • F 480.491.1201

WWW.CERWINVEGAMOBILE.COM