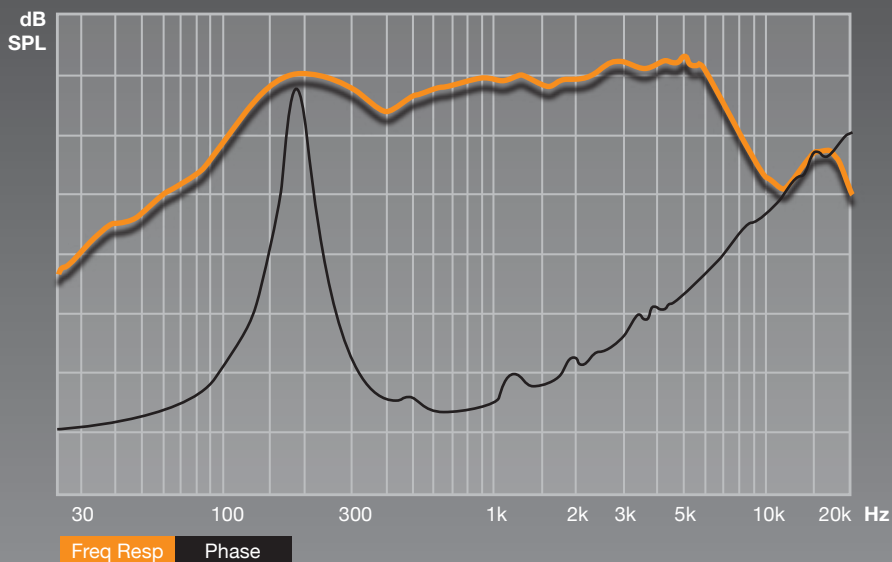


CADENCE

CVL
EURO SERIES

CVLM-84N



8 in

TS PARAMETERS

REVC: 2.920 Ohm	CMS: 124.859 mm/D
FO: 120.500 Hz	MMD: 12.174m Kg
SD: 21.380 m M	MMS: 13.972g
KRM: 239.554u Ohm	BL: 6.668 T
ERM: 0.879	QMS: 4.650
KXM: 7.502m H	QES: 0.695
EXM: 0.588	QTS: 0.604
VAS: 8.104m Ft	NO: 1.974%

4 Ohm
250 Watts

SPECIFICATIONS

Application: Neo - Mid - High

Basket Type: Graphite Acrylic

Dust Cap: Convex

Surround Style: Accordion

Structure Weight: 20 oz.

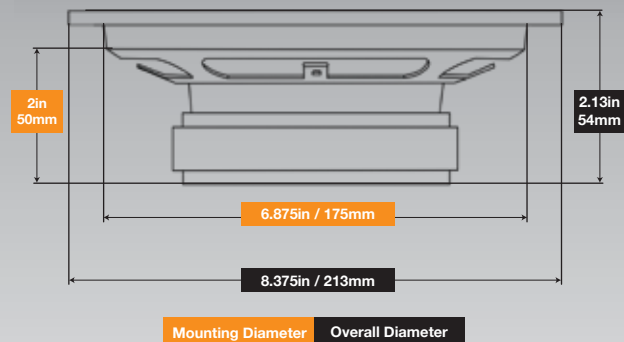
1.5" High Power Voice Coil

Impedance: 4 Ohm

RMS / Peak Watts: 125 / 250

Frequency Response: 105Hz - 7KHz

SPL @ 1w/1m: 94dB



Cadence Acoustics

6519 Highway 9 North • Howell, NJ 07731
800.477.2328 • 732.370.5400 • fax: 732.370.5553 • www.cadencesound.com

