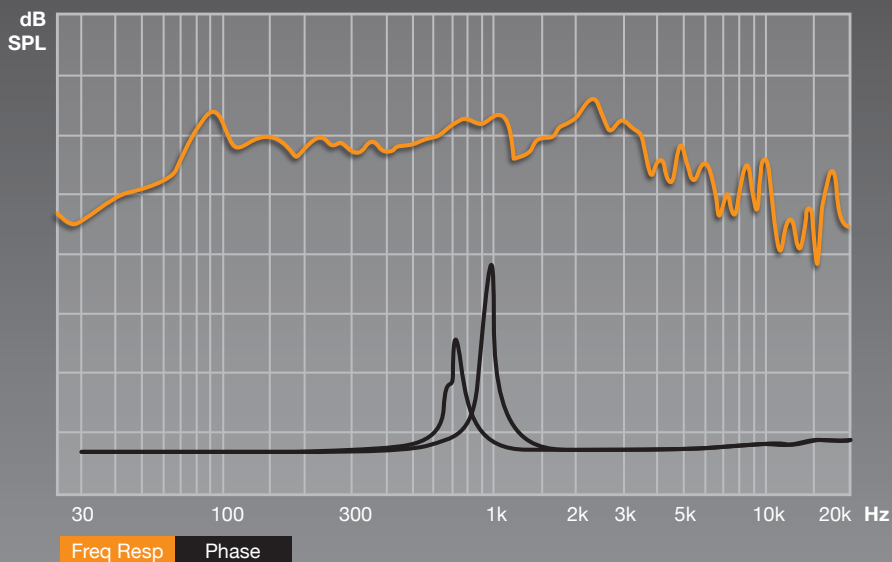


CADENCE

XENITH XM 84Vi



8 in



TS PARAMETERS

FMS: 95.5 Hz	BL: 5.3
QMS: 12.00	SPL: 102 dB
QES: 0.96	VAS: 13.5 l
QTS: 0.89	RE: 3.4 Ohm
RES: 8.3 Ohm	RP: 25.4 Ohm
RMS: 0.7 kg/s	LP: 6.0 mH
CMS: 0.21 mm/N	CP: 818.7 uF
MMS: 13.2 gr	LE: 0.3 mH
NREF: 1.18 %	

4 Ohm 250 Watts

SPECIFICATIONS

Application: Mid - High

Basket Type: Open Basket

Dust Cap: Bullet

Surround Style: Accordion

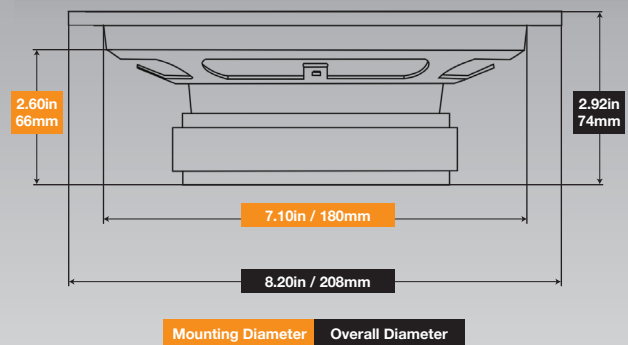
Structure Weight: 90 oz.

Impedance: 4 Ohm

RMS / Peak Watts: 125 / 250

Frequency Response: 100Hz - 11KHz

SPL @ 1w/1m: 102dB



Cadence Acoustics

6519 Highway 9 North • Howell, NJ 07731
800.477.2328 • 732.370.5400 • fax: 732.370.5553 • www.cadencesound.com

