

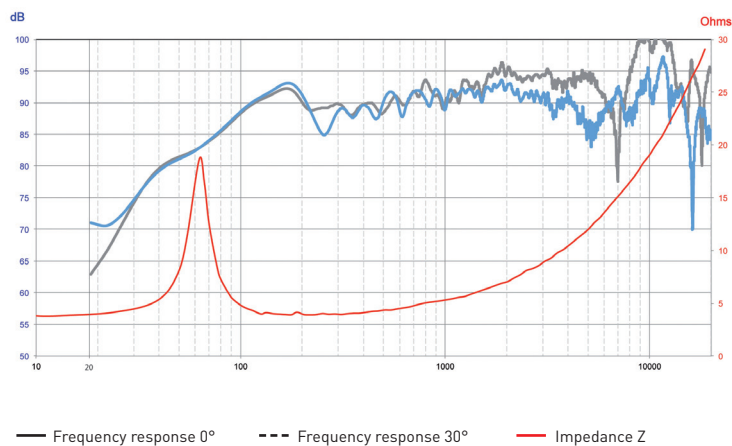
AUDITOR R-690C

Woofer (6x9")



- Polypropylene Cone
- Steel basket
- Mylar tweeter

FREQUENCY RESPONSE/IMPEDANCE



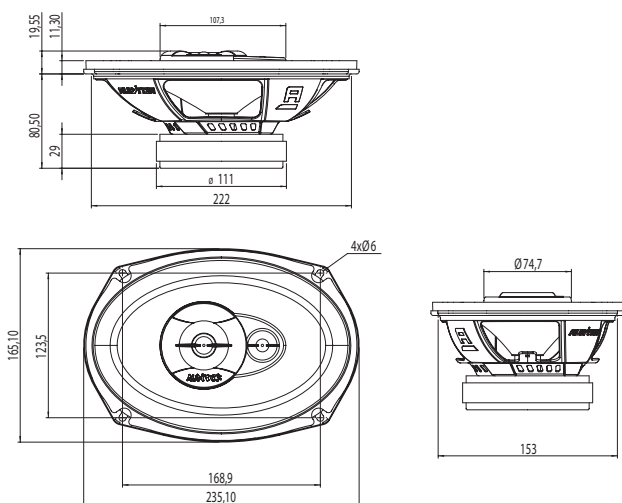
SPECIFICATIONS

Nominal power	80W RMS	
Maximum power	160W	
Sensitivity (2,83V/1m)	93dB	
Cone	Polypropylene	
Surround	Rubber	
Nom. impedance	4 Ω	
DC resistance	3.4 Ω	
VC diameter	35mm	1 ^{3/8} "
VC height	10.7mm	0 ^{27/64} "
Former	Kapton	
Layers	2	
Wire	Copper	
Xmax	± 3.35mm	0 ^{1/8} "
Magnet d x h	110mm x 20mm	4 ^{21/64} x 0 ^{25/32} "
Flux density	1.3T	
Gap height	4mm	0 ^{9/64} "
Net weight	1800g	3.96 lbs

PARAMETERS

Fs	66.59Hz
Vas	25.09L
Qts	1.079
Qes	1.33
Qms	5.71
Re	3.4 Ω
Sd	216.95cm ²
Cas	1.79E-08 m ⁵ /N
Mas	31.98Kg/m ⁴
Ras	2343.07 Ω.ac
Cms	3.80E-04m/N
Mms	15.05g
Rms	1.103Kg/s
Ces	6.61mF
Les	5.50mH
Res	15.80 Ω
BI	4.17N/A
SPL	89.3dB
f-3dans 30L	60Hz

MECHANICAL DRAWING



Performance
CREATE YOUR SOUND

FOCAL
THE SPIRIT OF SOUND