

UNIVERSAL ISC 165

Woofer

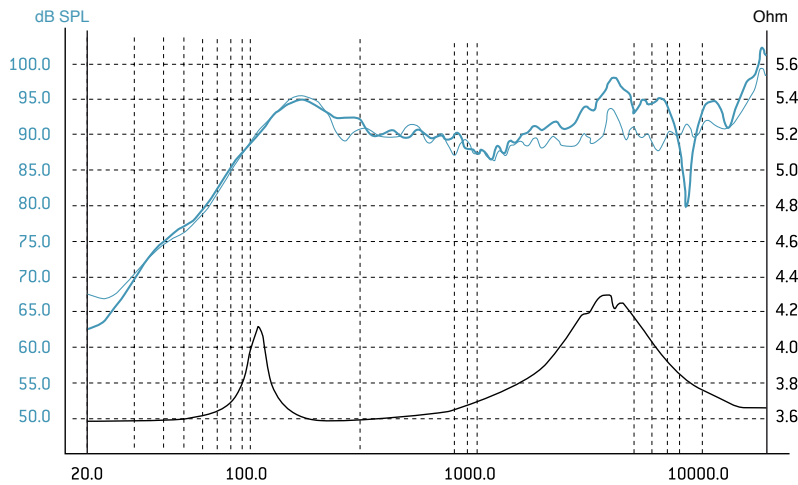


- Polyglass cone
- Reduced height
- Rotary inverted dome tweeter

SPECIFICATIONS

Nominal power	70W	
Maximum power	140W	
Sensitivity	93.2dB	
Cone	Polyglass	
Surround	Butyl	
Nom. impedance	4 Ohms	
DC resistance	3.0 Ohms	
VC diameter	25.5mm	1"
VC height	7mm	0 1/4 "
Former	Kapton	
Layers	2	
Wire	Copper	
Inductance	0.16mH	
Xmax	2mm	0 1/16 «
Magnet d x h	90 x 15mm	3 9/16 x 0 9/16 "
Magnet weight	250g	0.55 lb
Flux density	-	
Gap height	3mm	0 1/8 "
Net weight	900g	1.98lb

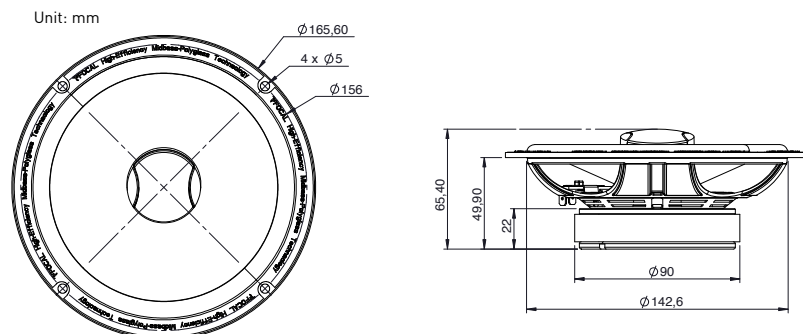
FREQUENCY RESPONSE/IMPEDANCE



PARAMETERS

Fs	95.31Hz
Vas	6.89 l
Qts	0.98
Qes	1.18
Qms	5.98
Re	3.01 Ohms
Sd	136.85cm ²
Cas	4.26 E-8m ⁵ /N
Mas	59.49kg/m ⁴
Ras	6047.9 Ohms.ac
Cms	247µm/N
Mms	11.31g
Rms	1.133kg/s
Ces	656.81mF
Les	4.35mH
Res	15.30 Ohms
Bl	4.16N/A
SPL	88.90dB (Re)

MECHANICAL DRAWING



Integration
INSTANT GRATIFICATION

FOCAL
THE SPIRIT OF SOUND