

3 W2 Be

3" Utopia Be® midrange



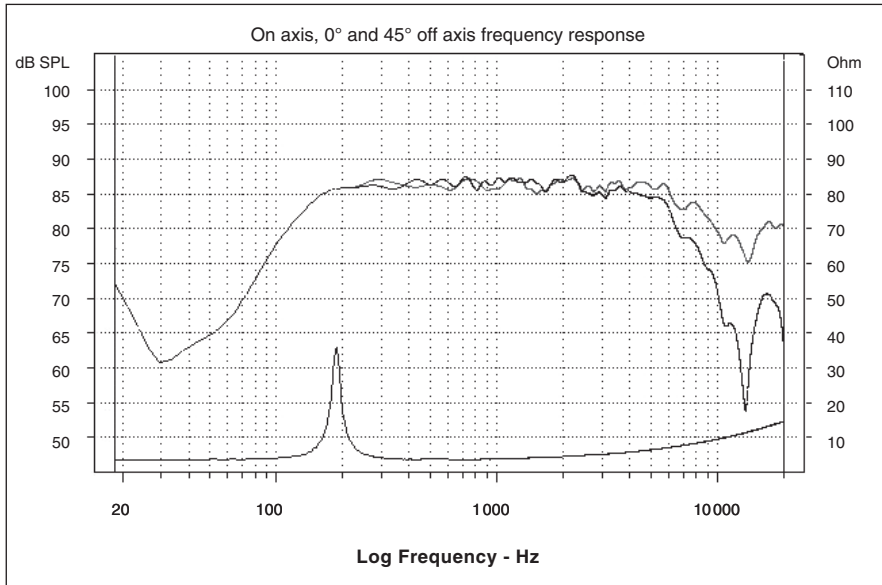
- W cone
- Neodymium magnet
- Zamak basket



Specifications

Nominal power	50 W	
Maximum power	100 W	
Sensitivity (2.83V/m)	88 dB	
Cone	W	
Surround	Rubber	
Nom. impedance	4 ohm	
DC resistance	3.37 ohm	
VC diameter	25 mm	1 in
VC height	8.5 mm	
Former	Kapton®	
Layers	2	
Wire	Aluminum	
Inductance	0.11 mH	
Xmax	2 mm	0.08 in
Magnet	Neodymium	
Flux density	1.2 T	
Gap height	4 mm	0.16 in
Net weight	0.18 kg	0.4 lb

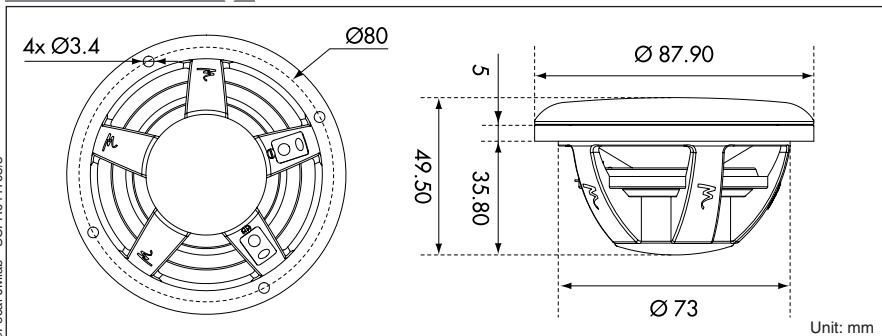
Frequency Response / Impedance



Parameters

Fs	188.74 Hz
Vas	0.31 l
Qts	0.729
Qes	0.770
Qms	13.790
Re	3.37 ohm
Sd	30.19 cm ²
Cas	2.18E-09 m ⁵ /N
Mas	325.84 kg/m ⁴
Ras	28021.38 ohm.ac
Cms	2.39E-04 m/N
Mms	2.97 g
Rms	0.255 kg/s
Ces	192.67 mF
Les	3.69 mH
Res	60.35 ohm
BI	3.93 N/A
SPL	86.12 dB/W/m

Mechanical Drawing



Focal® is a trademark of Focal-JMLab®