

COMP HI energy

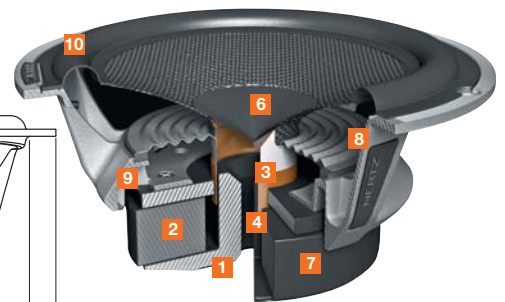
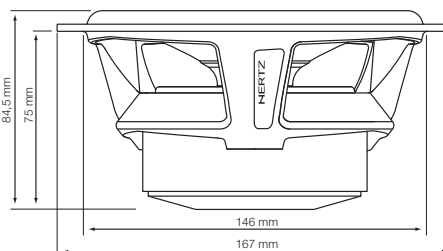
HV 165XL 250 watt



Technical Specifications

Component	Woofers	
Size	mm	165 (6 ^{7/8})
Power Handling	W peak	250
	W continuous	125
Impedance	Ω	4
Frequency response	Hz	40 ÷ 6k
Sensitivity	dB/SPL	93,5
Outer Ø	mm	167
Mounting Ø	mm	146
Total depth	mm	84,5
Mount. depth	mm	75
Magnet size	mm	95
Weight of one speaker	kg	1,48
Voice coil Ø	mm	30

- 1 Soft iron plates for high heat dissipation, part of the symmetrical magnetic flux motor.
- 2 Over-sized magnet; provides outstanding energy for maximum control.
- 3 Pure CCAW voice coil wound on a KSV former; for excellent thermal and mechanical capability.
- 4 Vented bottom plate; improves linearity and thermal dissipation.
- 5 Damped XL Mesh Fibre; for extended bandwidth and smooth response.
- 6 V-cone®; for the best off-axis dispersion and mid-high frequency detail.
- 7 Anti-vibration rubber magnet cover; damps spurious vibrations.
- 8 Aerodynamic die-cast aluminium basket; eliminating rear wave reflections.
- 9 Radial Venting System; for efficient thermal management.
- 10 Loss-less Polymer Rubber Surround; for long throw and maximum damping.



Electro-Acoustic Parameters

D	mm	130
Xmax	mm	8
Re	Ω	3,2
Fs	Hz	65
Le	mH@1kHz	0,37
Le	mH@10kHz	0,24
Vas	l	9,50
Mms	g	14,0
Cms	mm/N	0,37
BL	T-m	5,90
Qts		0,52
Qes		0,63
Qms		5,50
Spl(1m/2,83V)	dB	93,5

