

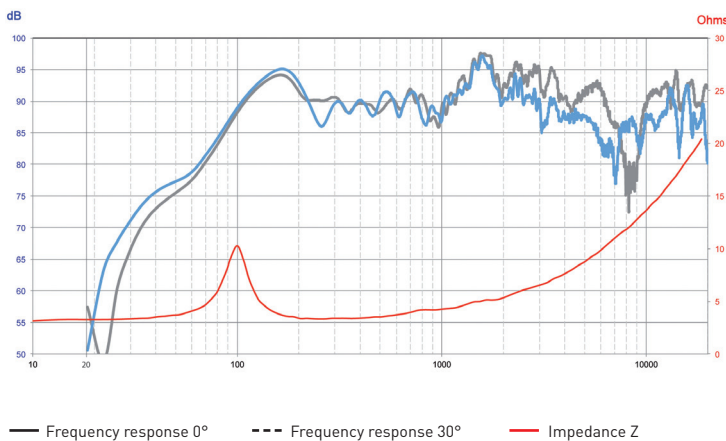
# AUDITOR R-570C

Woofer (5x7")



- Polypropylene Cone
- Steel basket
- Mylar tweeter

## FREQUENCY RESPONSE/IMPEDANCE



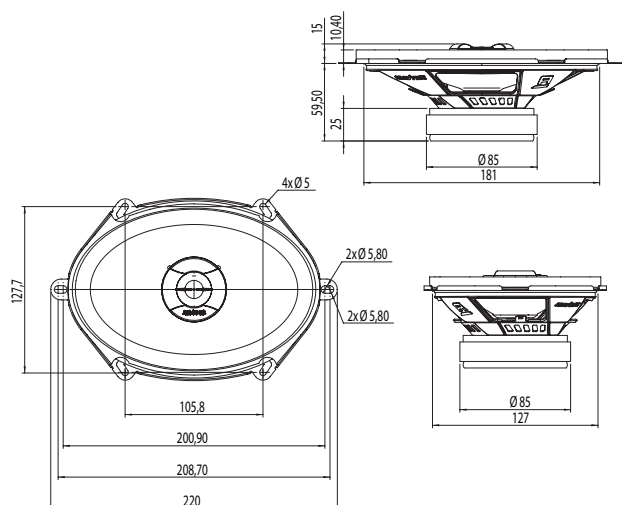
## SPECIFICATIONS

Nominal power	60W RMS	
Maximum power	120W	
Sensitivity (2,83V/1m)	91dB	
Cone	Polypropylene	
Surround	Rubber	
Nom. impedance	4 Ω	
DC resistance	2.8 Ω	
VC diameter	25mm	1"
VC height	8.7mm	0 <sup>11/32</sup> "
Former	Kapton	
Layers	2	
Wire	Copper	
Xmax	± 2.1mm	0 <sup>5/64</sup> "
Magnet d x h	85mm x 15mm	3 <sup>11/32</sup> x 0 <sup>19/32</sup> "
Flux density	1.1T	
Gap height	4.5mm	0 <sup>11/64</sup> "
Net weight	1000g	2.20 lbs

## PARAMETERS

Fs	99.1Hz
Vas	6.84L
Qts	0.926
Qes	1.22
Qms	3.85
Re	2.8 Ω
Sd	153.94cm <sup>2</sup>
Cas	4.87E-08m <sup>5</sup> /N
Mas	63.51Kg/m <sup>4</sup>
Ras	9379.17 Ω.ac
Cms	2.06E-04m/N
Mms	15.05g
Rms	2.223Kg/s
Ces	747.65mF
Les	4.14mH
Res	9.06 Ω
BI	4.49N/A
SPL	88.03dB
f-3dans 30L	84Hz

## MECHANICAL DRAWING



**Performance**  
CREATE YOUR SOUND

**FOCAL**  
THE SPIRIT OF SOUND