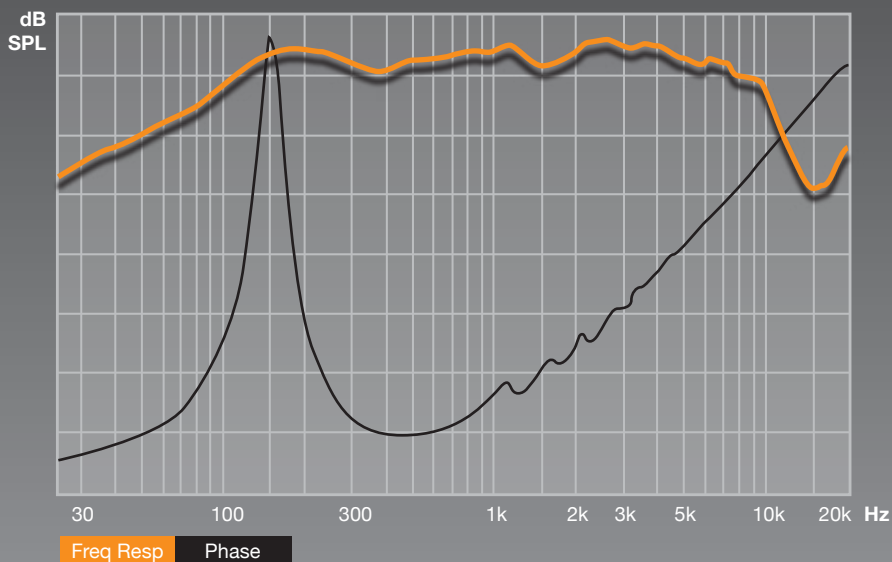


CADENCE

CVL
EURO SERIES

CVLW-84S



8in

TS PARAMETERS

REVC: 3.000 Ohm	CMS: 195.442 mm/D
FO: 93.359 Hz	MMD: 13.207m Kg
SD: 20.300 m M	MMS: 14.870g
KRM: 9.876u Ohm	BL: 7.427 T
ERM: 0.626	QMS: 4.448
KXM: 18.851m H	QES: 0.474
EXM: 0.565	QTS: 0.429
VAS: 11.437m Ft	NO: 1.897%

4 Ohm 200 Watts

SPECIFICATIONS

Application: Mid - High

Basket Type: Graphite Acrylic

Dust Cap: Bullet

Surround Style: Accordion

Structure Weight: 80 oz.

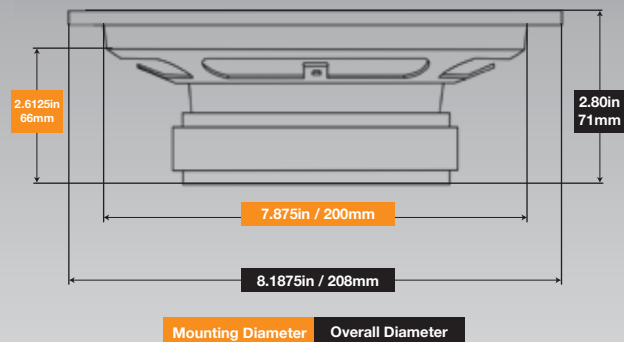
1.5" High Power Voice Coil

Impedance: 4 Ohm

RMS / Peak Watts: 100 / 200

Frequency Response: 102Hz - 10KHz

SPL @ 1w/1m: 100dB



Cadence Acoustics

6519 Highway 9 North • Howell, NJ 07731
800.477.2328 • 732.370.5400 • fax: 732.370.5553 • www.cadencesound.com

