

THESIS

TH 3.0 voce

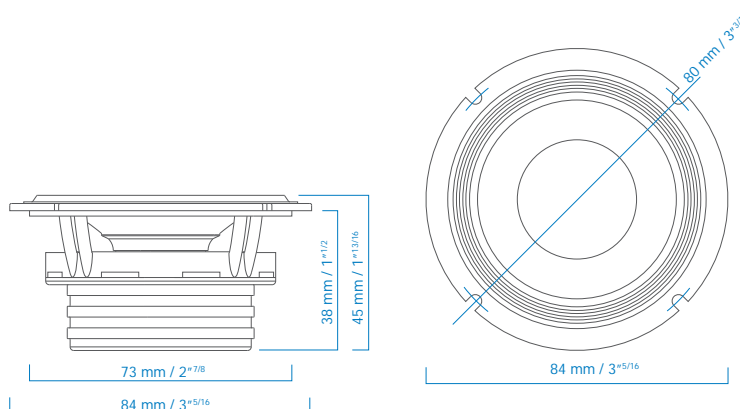
MIDRANGE 100 W



ideato,
 progettato,
 costruito
 in Italia

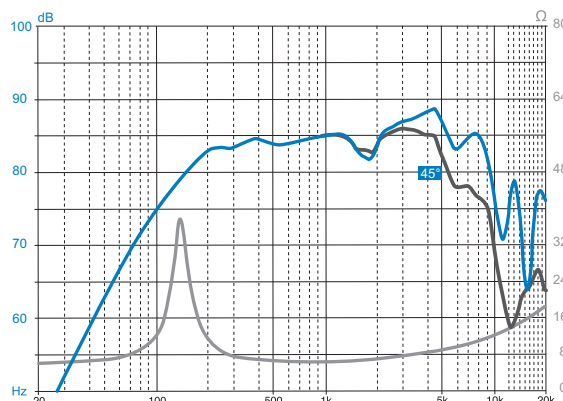
Technical Specifications

Component	Cone Midrange	
Size	mm	80 (3")
Power Handling	W peak	100
	W continuous	50
Impedance	Ω	8
Frequency response	Hz	200 ÷ 8k
Sensitivity	dB/SPL	86
Outer \varnothing	mm	84
Mounting \varnothing	mm	73
Total depth	mm	45
Mount. depth	mm	38
Magnet size	mm	45
Weight of one component	kg	0,26
Voice coil \varnothing	mm	25



Electro-Acoustic Parameters

D	mm	65
Xmax	mm	1,5
Re	Ω	5,2
Fs	Hz	150
Le	mH@1kHz	0,51
Le	mH@10kHz	0,17
Vas	l	0,51
Mms	g	3,4
Cms	mm/N	0,33
BL	T-m	4,51
Qts		0,70
Qes		0,81
Qms		5,30
Spl (1m/2,83V)	dB	86



For detailed technical information and more product features, view the Advanced Manual available for download on the website www.audison.eu